



[Click here for larger image](#)

Rectangular cabochon measures 30mm (1 3/16") x 21mm (0.7/8")

Note – for those who prefer front side/back side tatting the text in *italics and red* indicates where the worker needs to use the second half of the ds first.

Materials required – Size 20 thread, 2 shuttles, seed beads Aero is Sh1
2 shuttles

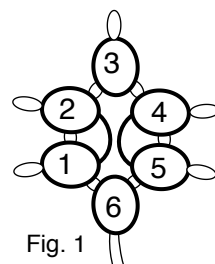
NB When joining chains to the joined picots on outer rounds take the hook through both parts of the picot from the right to the left and then pull core (shuttle in right hand) thread through from left to right.

Abbreviations

R	ring	Ch	chain	SR	split ring	Cl	close
RW	reverse work	Smh	split chain	Lj	lock join	SCh	split chain
Fp	false picot (space left on thread to match picots						
vsp	very small picot			DNRW	do not reverse work		

Back

- R1: 1 vsp 5 vsp 3 vsp 3 Cl RW
- Ch: 1 vsp 1 RW*
- R2: 3 + (vsp R1) 3 vsp 5 vsp 1 Cl
- R3: 1 + (vsp R2) 5 vsp 5 vsp 1 Cl
- R4: 1 + (vsp R3) 5 vsp 3 vsp 3 Cl RW
- Ch: 1 + (vsp Ch) 1 RW*
- R5: 3 + (vsp R4) 3 vsp 5 vsp 1 Cl
- SR6: 1 + (vsp R5) 5 / 1 + (vsp R1) 5 Cl



First side

- SR7: Fp 2 / Fp 2 vsp 2 – 2 Cl
- SR8: 3 - 1 / 2 – 2 Cl RW
- Ch: 3 - 3 RW*
- SR9: 1 + (SR8) 3 / 2 – 2 Cl
- SR10: 2 + (vsp R5) 2 / 2 – 2 Cl
- SR11: 2 + (vsp R4) 2 / 2 – 2 Cl
- SR12: 3 - 1 / 2 – 2 Cl RW
- Ch: 3 - 3 RW*
- SR13: 1 + (SR12) 3 / 2 – 2 Cl
- SR14: 2 + (vsp R3) 2 / 2 – 2 Cl
- SR15: 3 - 1 / 2 – 2 Cl RW
- Ch: 3 - 3 RW*
- SR16: 1 + (SR15) 3 / 2 – 2 Cl
- SR17: 2 + (vsp R2) 2 / 2 – 2 Cl
- SR18: 2 + (vsp R1) 2 / 2 – 2 Cl
- SR19: 3 - 1 / 2 – 2 Cl RW

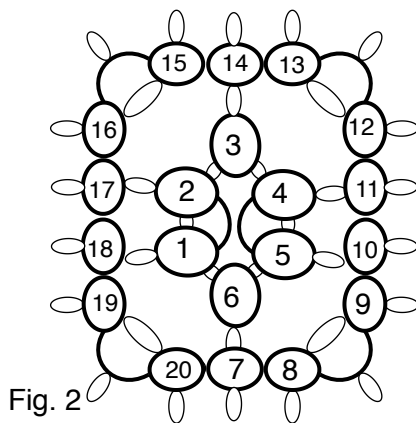


Fig. 2

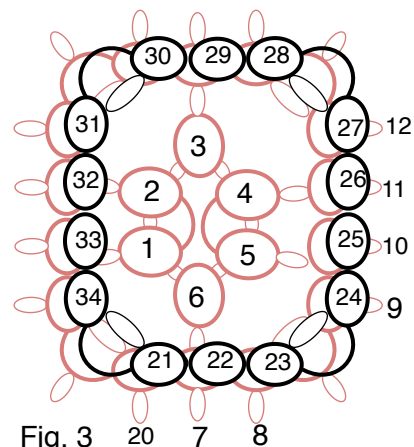


Fig. 3

- Ch: 3 - 3 RW*
- SR20: 1 + (SR19) 3 + (vsp SR7) 2 / 2 Cl continue without cutting threads.

Second side

- SR21: Fp 2 / Fp 1 vsp 1 - 4 Cl

SR22: 2 + (SR7) 2 / 4 CI
 SR23: 2 + (SR8) 2 / 3 - 1 CI SS DNRW
 Ch: 3 + (Ch side 1) 3 SS DNRW
 SR24: 2 + (SR9) 2 / 1 + (SR23) 3 CI
 SR25: 2 + (SR10) 2 / 4 CI
 SR26: 2 + (SR11) 2 / 4 CI
 SR27: 2 + (SR12) 2 / 3 - 1 CI SS DNRW
 Ch: 3 + (Ch) 3 SS DNRW
 SR28: 2 + (SR13) 2 / 1 + (SR27) 3 CI
 SR29: 2 + (SR14) 2 / 4 CI
 SR30: 2 + (SR15) 2 / 3 - 1 CI SS DNRW
 Ch: 3 + (Ch) 3 SS DNRW
 SR31: 2 + (SR16) 2 / 1 + (SR30) 3 CI
 SR32: 2 + (SR17) 2 / 4 CI
 SR33: 2 + (SR18) 2 / 4 CI

At this point insert the cabochon.

SR34: 2 + (SR19) 2 / 3 + (p on SR21) 1 CI SS DNRW

SCh: 3 (joining to vsp SR21) / 3 + (to the opposite chain on first side).

Continue with Sh2

Outer Round 1 - with top of cabochon facing you.

Ch: vsp 3 vsp 3 * Lj (the joined picots on first and second sides see notes at start) 3 vsp 3 repeat from * twice. Join to corner chains as before then continue with vsp 3 vsp 3. Repeat all round not forgetting to add the vsp in the corner joins. The last chain will be a split chain.

SCh: 3 / 3 joining to vsp at start of first chain of the round.

Outer Round 2

Replace chain thread with another colour with 34 beads on the thread.

Ch: 3 B 3 RW

R: 4 + (vsp on corner) 4 CI RW

Ch: Move 3 beads close to last Ch worked 3 B 3 Lj (next Ch Round 1) Continue as before to complete round.

Lj (next Ch Round 1) Repeat this chain until the join to the p before the corner has been made.

Ch: 3 B 3 RW

R: 4 + (vsp on next corner) 4 CI RW

Obviously many different outer rings and/or chains can be made for the basic cabochon pattern.

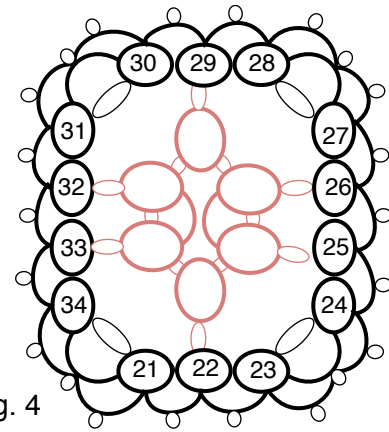


Fig. 4

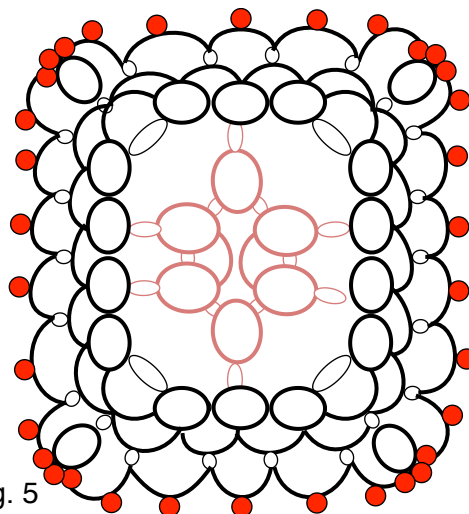


Fig. 5